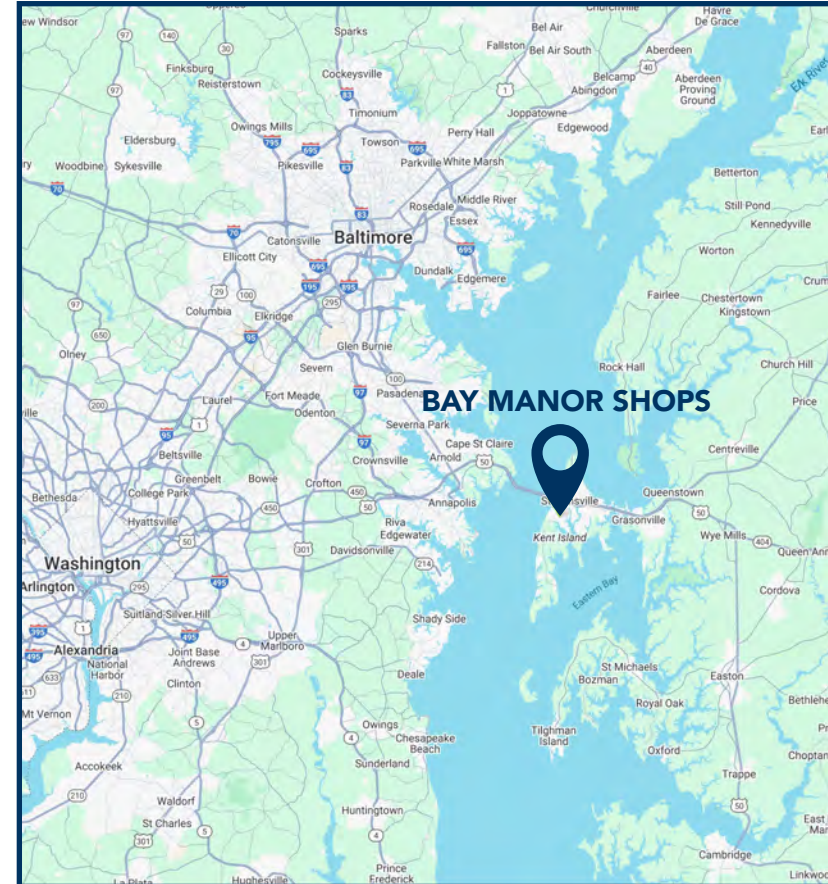






BAY MANOR SHOPS

214 Pier One Rd, Stevensville, MD 21666



PROPERTY HIGHLIGHTS

-  Available: from 1,000 SF up to 6,685 SF
-  Unparalleled access and visibility from the Bay Bridge
-  Easy and quick access to Annapolis, Baltimore and Washington DC
-  16,000 SF of Retail and Office underneath 60 upscale apartments

POPULATION



15 Min 25,939
30 Min 127,941
45 Min 541,673

CARS PER DAY



Blue Star Mem Hwy: 77,752
Pier One Rd: 2,638

AV. HH INCOME



15 Min \$162,524
30 Min \$173,786
45 Min \$159,316

EMPLOYEES



15 Min 10,526
30 Min 83,608
45 Min 231,837

last updated: 12/16/24 P. 1



SHARY THUR



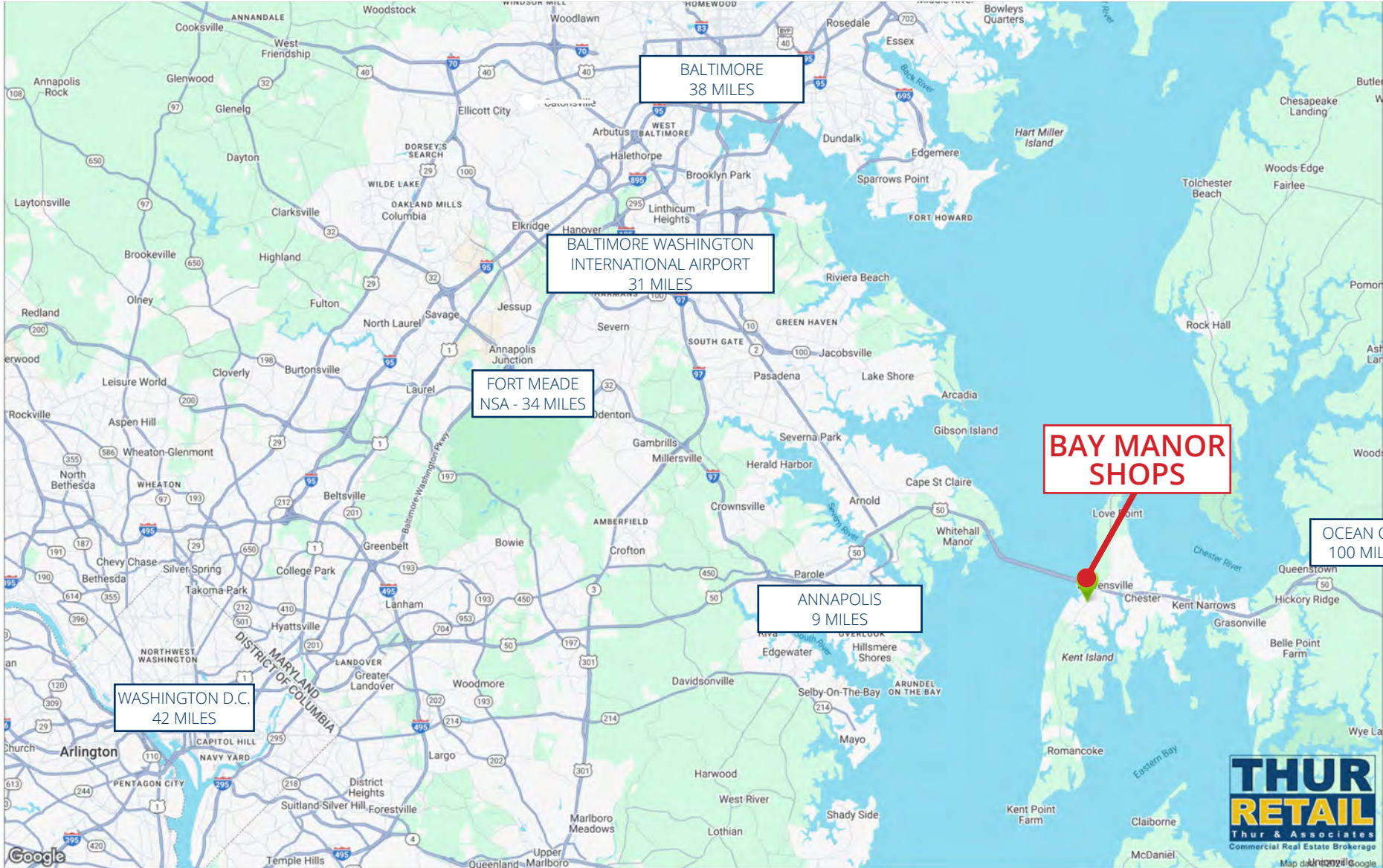
202-359-3469



sthur@thurassociates.com

BAY MANOR SHOPS

214 Pier One Rd, Stevensville, MD 21666



BAY MANOR SHOPS

214 Pier One Rd, Stevensville, MD 21666



last updated: 12/16/24 P. 3



SHARY THUR



202-359-3469



sthur@thurassociates.com

BAY MANOR SHOPS

214 Pier One Rd, Stevensville, MD 21666



last updated: 12/16/24 P. 4



SHARY THUR



202-359-3469



sthur@thurassociates.com

BAY MANOR SHOPS

214 Pier One Rd, Stevensville, MD 21666



last updated: 12/16/24 P. 5



SHARY THUR



202-359-3469



sthur@thurassociates.com

BAY MANOR SHOPS

214 Pier One Rd, Stevensville, MD 21666



last updated: 12/16/24 P. 6



SHARY THUR



202-359-3469



sthur@thurassociates.com

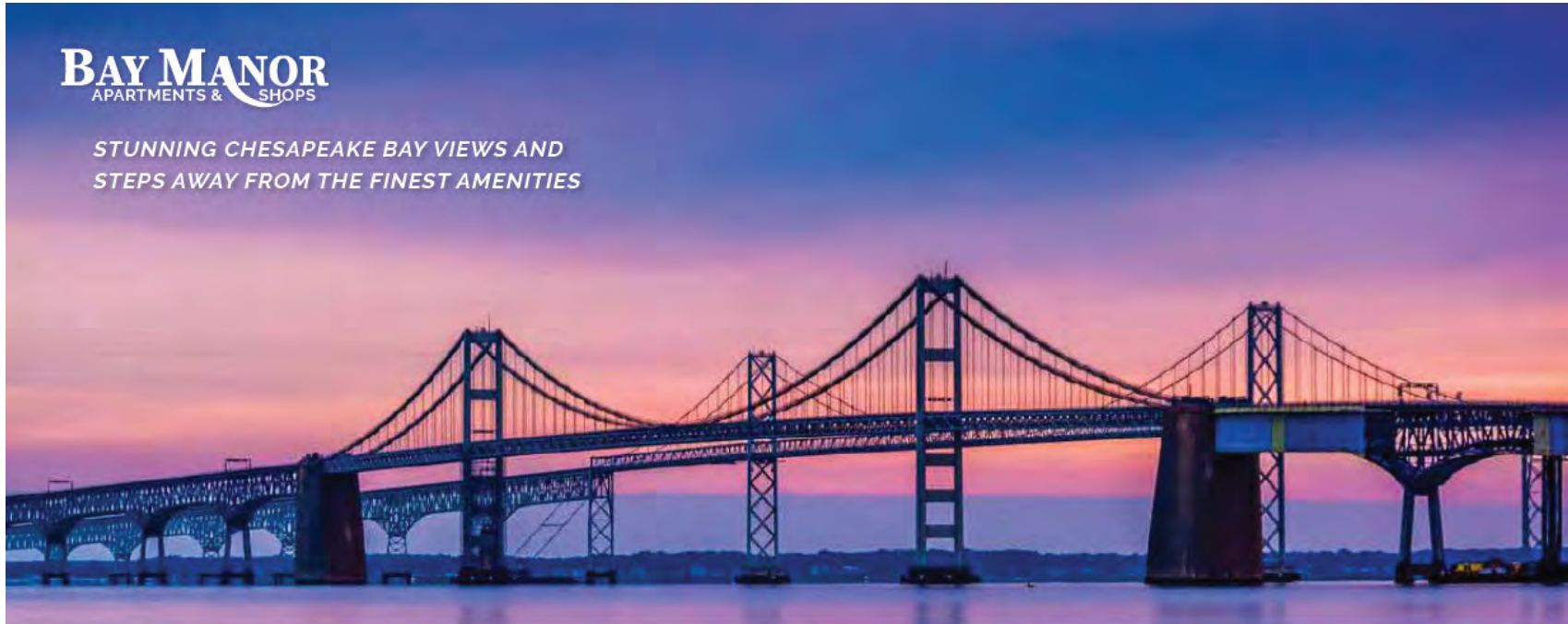
BAY MANOR SHOPS

214 Pier One Rd, Stevensville, MD 21666



BAY MANOR
APARTMENTS & SHOPS

STUNNING CHESAPEAKE BAY VIEWS AND
STEPS AWAY FROM THE FINEST AMENITIES



CASCIA VINEYARDS & WINERY



TERRAPIN NATURE PARK



HISTORIC STEVENSVILLE



last updated: 12/16/24 P. 7



SHARY THUR



202-359-3469



sthur@thurassociates.com

BAY MANOR SHOPS

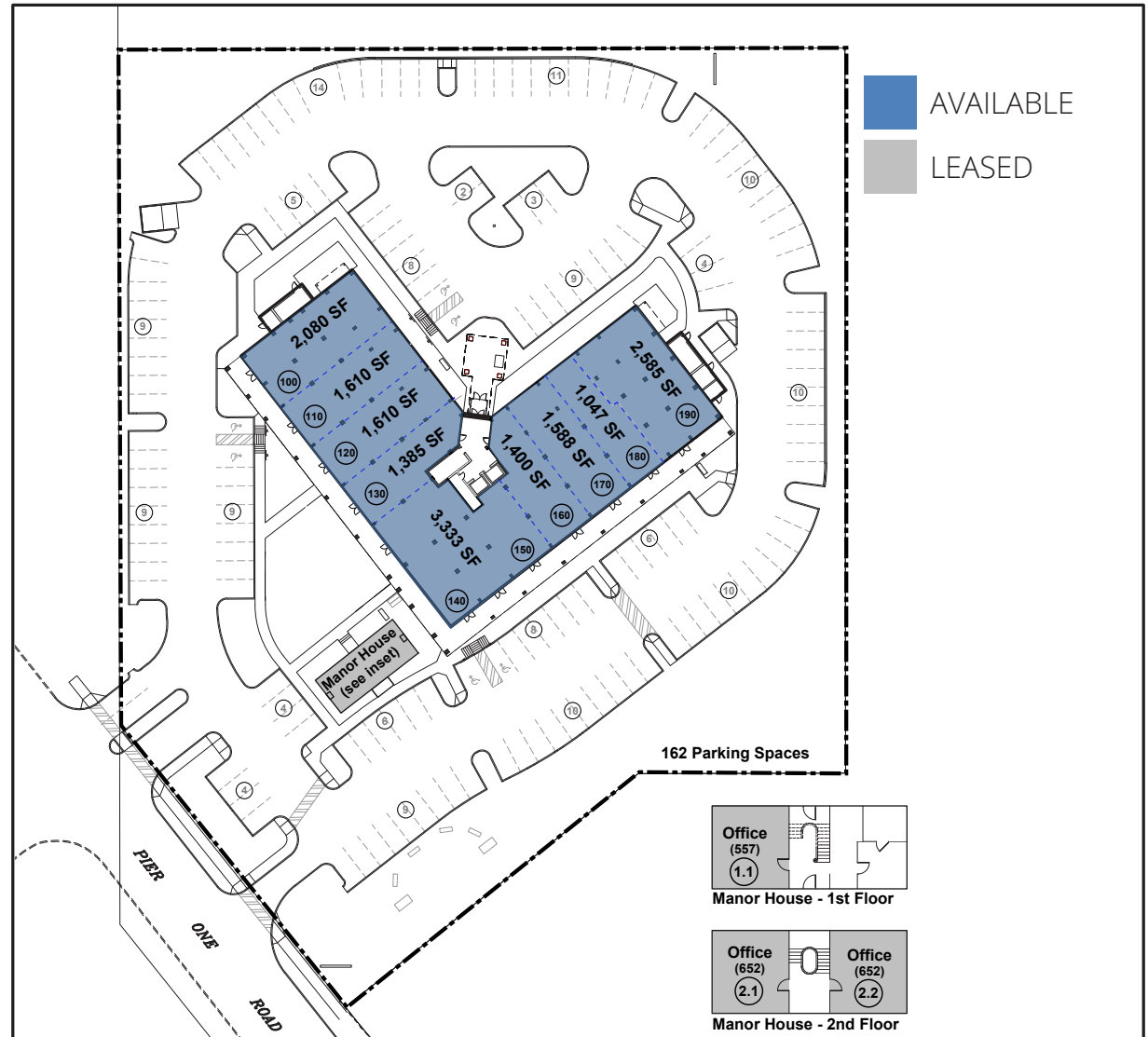
214 Pier One Rd, Stevensville, MD 21666



Bay Manor Shops

We are delighted to introduce you to Bay Manor Shops, a vibrant retail destination that redefines the shopping experience located at 214 Pier One Road. Spanning an impressive 16,000+ square feet on the ground floor, this space is now available for immediate delivery, inviting businesses to thrive in a bustling environment. Above, you'll find 60 exquisite upscale apartments, offering a perfect blend of luxury living and convenience.

Nestled near the picturesque Bay Bridge Marina Yacht Club, Bay Manor Shops boasts stunning sunset views and breathtaking panoramas of the iconic Bay Bridge. This prime location is within easy walking distance of beloved dining spots such as Libbey's Coastal Kitchen & Cocktails and Knoxie's Table, ensuring that residents and visitors alike can indulge in delightful culinary experiences. Additionally, the area is poised for growth with a 28-unit housing development set to debut in 2025, along with a nearby hotel, further enhancing the vibrant community atmosphere. Come explore Bay Manor Shops—where retail meets luxury in an unparalleled setting!



last updated: 12/16/24 P. 8



SHARY THUR



202-359-3469



sthur@thurassociates.com

BAY MANOR SHOPS

214 Pier One Rd, Stevensville, MD 21666



TENANT LIST

Suite	Tenant	Category/ Former use	SF
100	Available	Cold Dark Shell	2,080
110	Available	Cold Dark Shell	1,610
120	Available	Cold Dark Shell	1,610
130	Available	Cold Dark Shell	1,385
140 & 150	Available	Cold Dark Shell	3,333
160	Available	Cold Dark Shell	1,400
170	Available	Cold Dark Shell	1,588
180	Available	Cold Dark Shell	1,047
190	Available	Cold Dark Shell	2,585
		Retail GLA	16,638

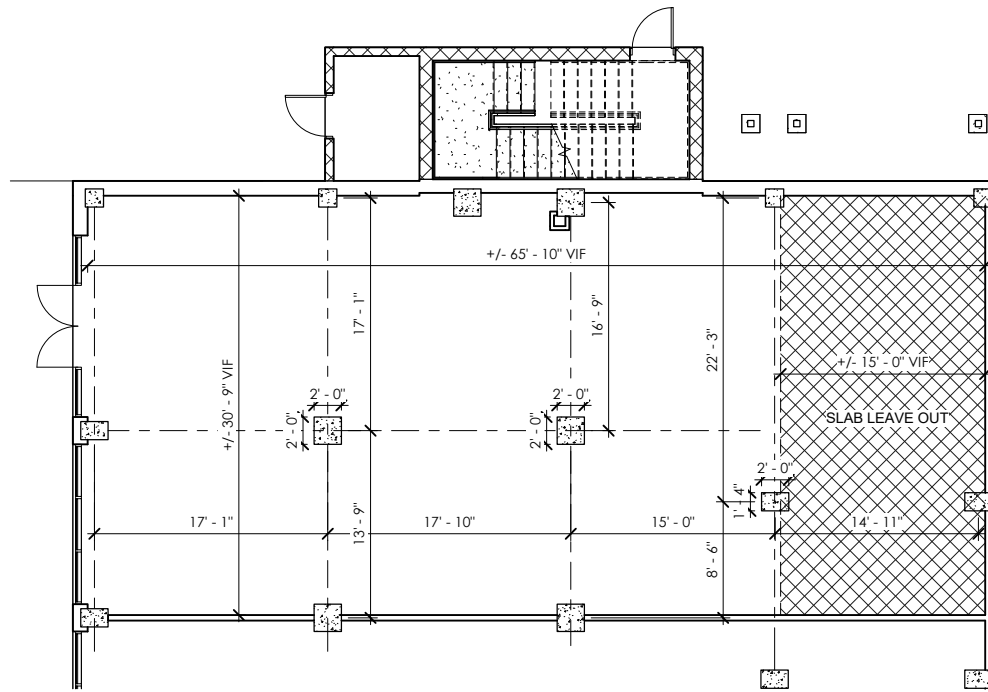


BAY MANOR SHOPS

214 Pier One Rd, Stevensville, MD 21666



PRELIMINARY



SUITE 100

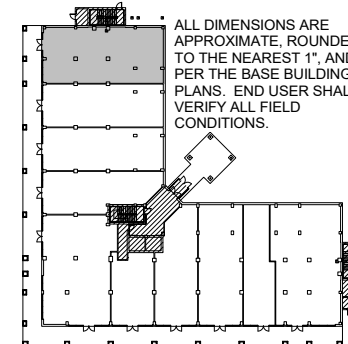
2,080 SF (PER LEASING PLAN LP-15 R1)

HVAC INCLUDED AT 1 TON PER 350 SF.

SUITE SHALL BE PROVIDED W/
200 AMPS AT 120V.

NOTE:
AREA CALCULATION IS
APPROXIMATE AND AS
PROVIDED BY THE BUILDING
OWNER. ALL AS BUILT
CONDITIONS ARE TO FIELD
VERIFIED BY THE END USER.

ALL DIMENSIONS ARE
APPROXIMATE, ROUNDED
TO THE NEAREST 1", AND AS
PER THE BASE BUILDING
PLANS. END USER SHALL
VERIFY ALL FIELD
CONDITIONS.



KEY PLAN - SUITE 100

NOT TO SCALE

1 LEASING PLAN SUITE 100
1/8" = 1'-0"

LOA
Level One Architects, LLC
209 West Street, Suite 203,
Annapolis, MD 21401
443.889.4936 www.loa-arch.com

**BAY MANOR
APARTMENTS & SHOPS**

**LEASING PLAN -
SUITE 100**

L-1.1

Date 2024.05.29 Scale As indicated

BAY MANOR - LEASING PLANS

10/25/2024 4:01:24 PM

last updated: 12/16/24 P. 10



SHARY THUR



202-359-3469



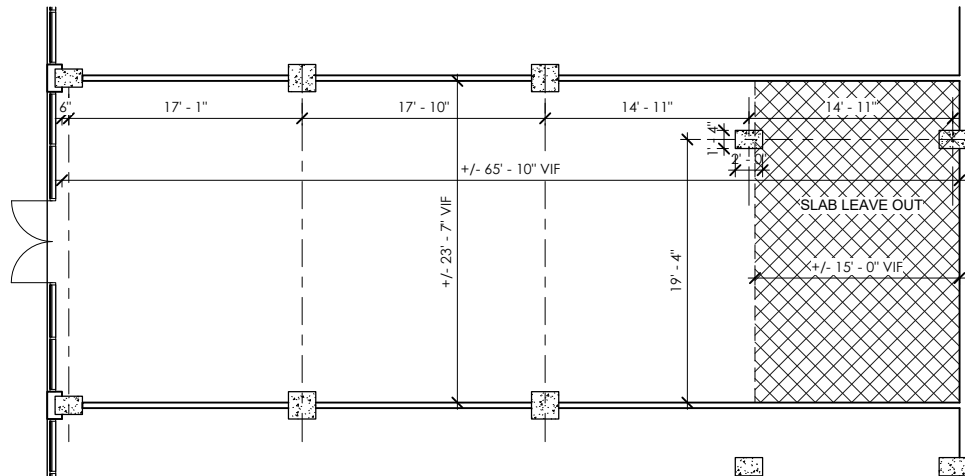
sthur@thurassociates.com

BAY MANOR SHOPS

214 Pier One Rd, Stevensville, MD 21666



PRELIMINARY



SUITE 110

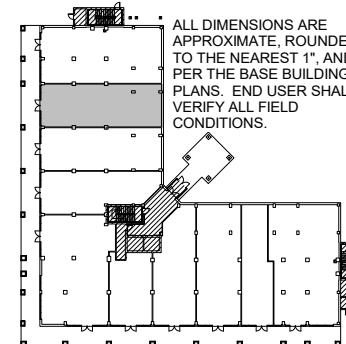
1,610 SF (PER LEASING PLAN LP-15 R1)

HVAC INCLUDED AT 1 TON PER 350 SF.

SUITE SHALL BE PROVIDED W/
200 AMPS AT 120V.

NOTE:
AREA CALCULATION IS
APPROXIMATE AND AS
PROVIDED BY THE BUILDING
OWNER. ALL AS BUILT
CONDITIONS ARE TO FIELD
VERIFIED BY THE END USER.

ALL DIMENSIONS ARE
APPROXIMATE, ROUNDED
TO THE NEAREST 1", AND AS
PER THE BASE BUILDING
PLANS. END USER SHALL
VERIFY ALL FIELD
CONDITIONS.



KEY PLAN - SUITE 110

NOT TO SCALE

1 LEASING PLAN SUITE 110
1/8" = 1'-0"

LOA
Level One Architects, LLC
209 West Street, Suite 203,
Annapolis, MD 21401
443.889.4936 www.loa-arch.com

**BAY MANOR
APARTMENTS & SHOPS**

**LEASING PLAN -
SUITE 110**

L-1.2

Date: 2024.05.29 Scale As Indicated

BAY MANOR - LEASING PLANS

10/25/2024 4:01:24 PM

last updated: 12/16/24 P. 11



SHARY THUR



202-359-3469



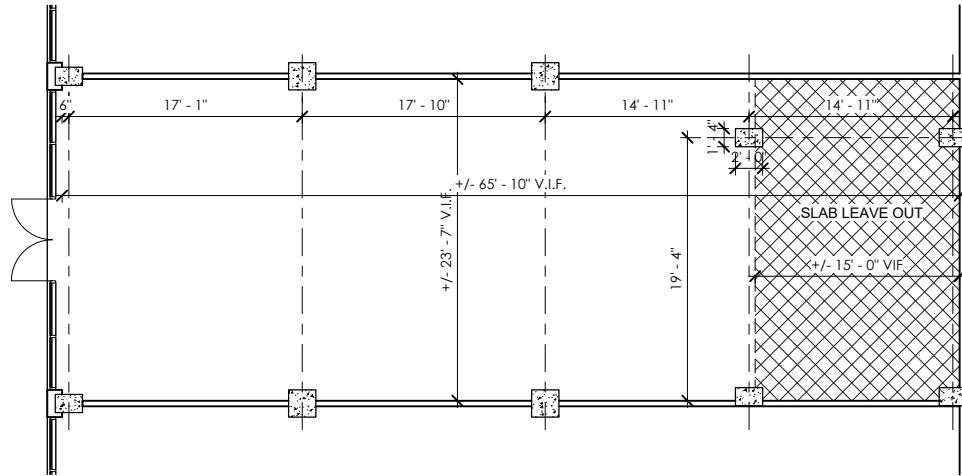
sthur@thurassociates.com

BAY MANOR SHOPS

214 Pier One Rd, Stevensville, MD 21666



PRELIMINARY



SUITE 120

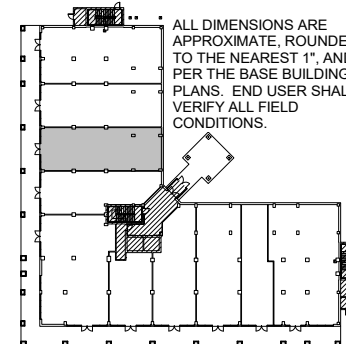
1,610 SF (PER LEASING PLAN LP-15 R1)

HVAC INCLUDED AT 1 TON PER 350 SF.

SUITE SHALL BE PROVIDED W/
200 AMPS AT 120V.

NOTE:
AREA CALCULATION IS
APPROXIMATE AND AS
PROVIDED BY THE BUILDING
OWNER. ALL AS BUILT
CONDITIONS ARE TO FIELD
VERIFIED BY THE END USER.

ALL DIMENSIONS ARE
APPROXIMATE, ROUNDED
TO THE NEAREST 1", AND AS
PER THE BASE BUILDING
PLANS. END USER SHALL
VERIFY ALL FIELD
CONDITIONS.



KEY PLAN - SUITE 120

NOT TO SCALE

1 LEASING PLAN SUITE 120
1/8" = 1'-0"

LOA
Level One Architects, LLC
209 West Street, Suite 203,
Annapolis, MD 21401
443.889.4936 www.loa-arch.com

BAY MANOR
APARTMENTS & SHOPS

LEASING PLAN -
SUITE 120

L-1.3

Date: 2024.05.29 Scale As indicated

10/25/2024 4:01:24 PM

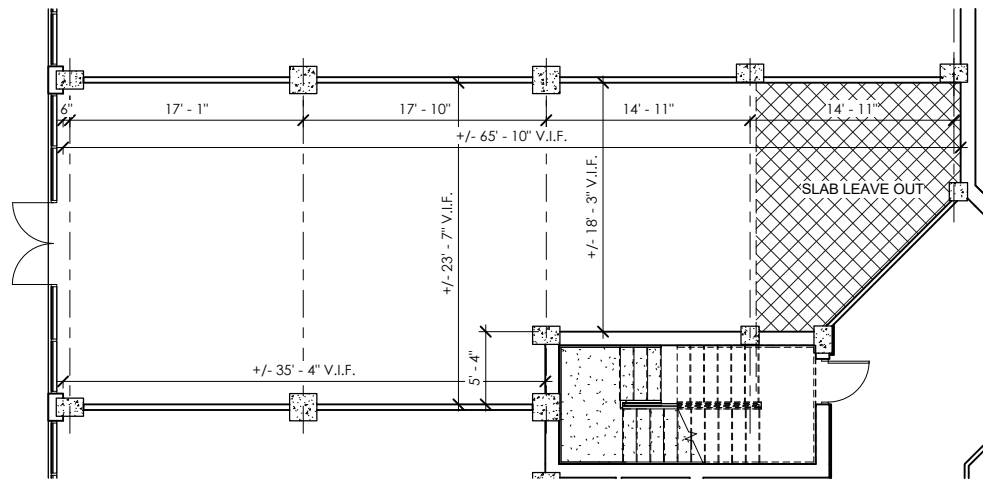


BAY MANOR SHOPS

214 Pier One Rd, Stevensville, MD 21666



PRELIMINARY



SUITE 130

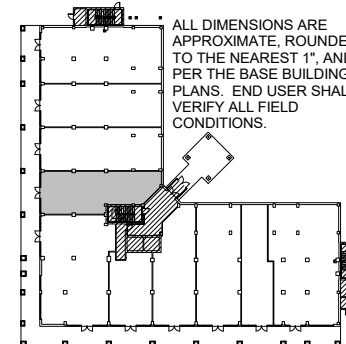
1,385 SF (PER LEASING PLAN LP-15 R1)

HVAC INCLUDED AT 1 TON PER 350 SF.

SUITE SHALL BE PROVIDED W/
200 AMPS AT 120V.

NOTE:
AREA CALCULATION IS
APPROXIMATE AND AS
PROVIDED BY THE BUILDING
OWNER. ALL AS BUILT
CONDITIONS ARE TO FIELD
VERIFIED BY THE END USER.

ALL DIMENSIONS ARE
APPROXIMATE, ROUNDED
TO THE NEAREST 1", AND AS
PER THE BASE BUILDING
PLANS. END USER SHALL
VERIFY ALL FIELD
CONDITIONS.



KEY PLAN - SUITE 130

NOT TO SCALE

1 LEASING PLAN SUITE 130
1/8" = 1'-0"

LOA
Level One Architects, LLC
209 West Street, Suite 203,
Annapolis, MD 21401
443.889.4936 www.loa-arch.com

**BAY MANOR
APARTMENTS & SHOPS**

BAY MANOR - LEASING PLANS

**LEASING PLAN -
SUITE 130**

L-1.4

Date: 2024.05.29 Scale As Indicated

10/25/2024 4:01:24 PM

last updated: 12/16/24 P. 13



SHARY THUR



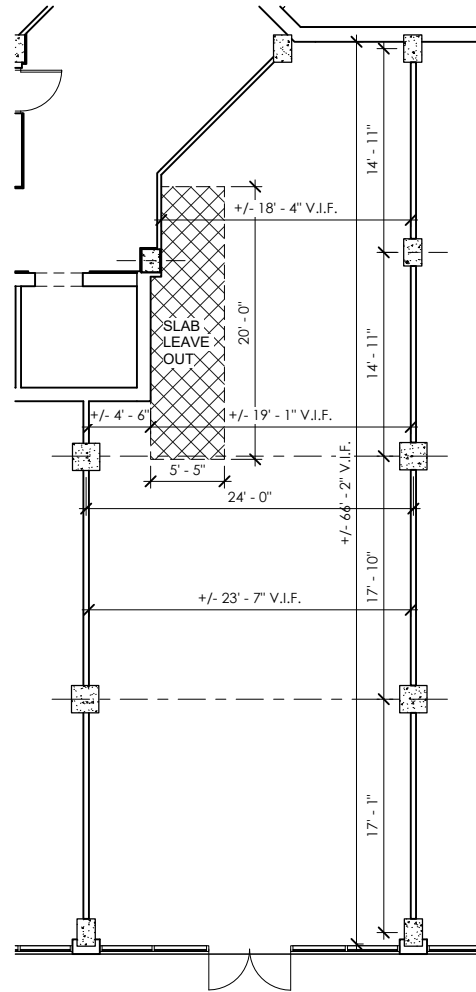
202-359-3469



sthur@thurassociates.com

BAY MANOR SHOPS

214 Pier One Rd, Stevensville, MD 21666



1 LEASING PLAN SUITE 160
1/8" = 1'-0"

PRELIMINARY

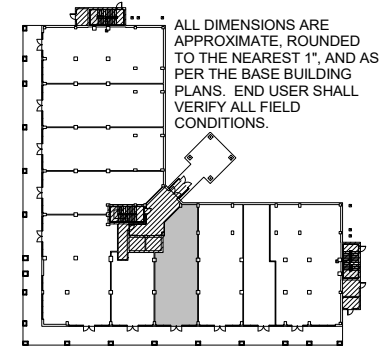
SUITE 160

1,400 SF (PER LEASING PLAN LP-15 R1)

HVAC INCLUDED AT 1 TON PER 350 SF.

SUITE SHALL BE PROVIDED W/
200 AMPS AT 120V.

NOTE:
AREA CALCULATION IS
APPROXIMATE AND AS
PROVIDED BY THE BUILDING
OWNER. ALL AS BUILT
CONDITIONS ARE TO FIELD
VERIFIED BY THE END USER.



KEY PLAN - SUITE 160

NOT TO SCALE

LOA
Level One Architects, LLC
209 West Street, Suite 203,
Annapolis, MD 21401
443.889.4936 www.loa-arch.com

**BAY MANOR
APARTMENTS & SHOPS**

BAY MANOR - LEASING PLANS

**LEASING PLAN -
SUITE 160**

L-1.7

Date: 2024.05.29 Scale As indicated

10/25/2024 4:01:25 PM

last updated: 12/16/24 P. 15



SHARY THUR



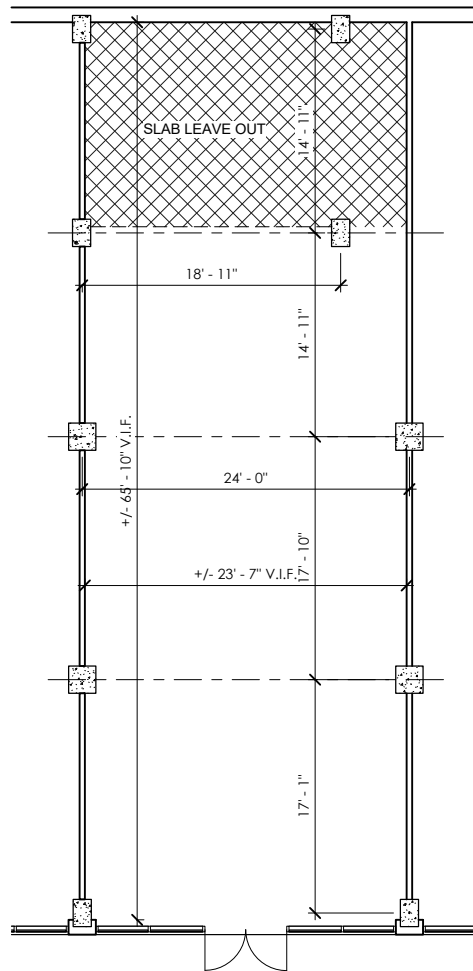
202-359-3469



sthur@thurassociates.com

BAY MANOR SHOPS

214 Pier One Rd, Stevensville, MD 21666



1 LEASING PLAN SUITE 170
1/8" = 1'-0"

PRELIMINARY

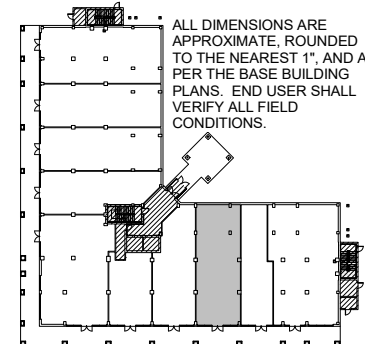
SUITE 170

1,628 SF (PER BOMA RETAIL CALCULATION)

HVAC INCLUDED AT 1 TON PER 350 SF.

SUITE SHALL BE PROVIDED W/
200 AMPS AT 120V.

NOTE:
AREA CALCULATION IS
APPROXIMATE AND AS
PROVIDED BY THE BUILDING
OWNER. ALL AS BUILT
CONDITIONS ARE TO FIELD
VERIFIED BY THE END USER.



KEY PLAN - SUITE 170

NOT TO SCALE

LOA
Level One Architects, LLC
209 West Street, Suite 203,
Annapolis, MD 21401
443.889.4936 www.loa-arch.com

**BAY MANOR
APARTMENTS & SHOPS**
BAY MANOR - LEASING PLANS

**LEASING PLAN -
SUITE 170**

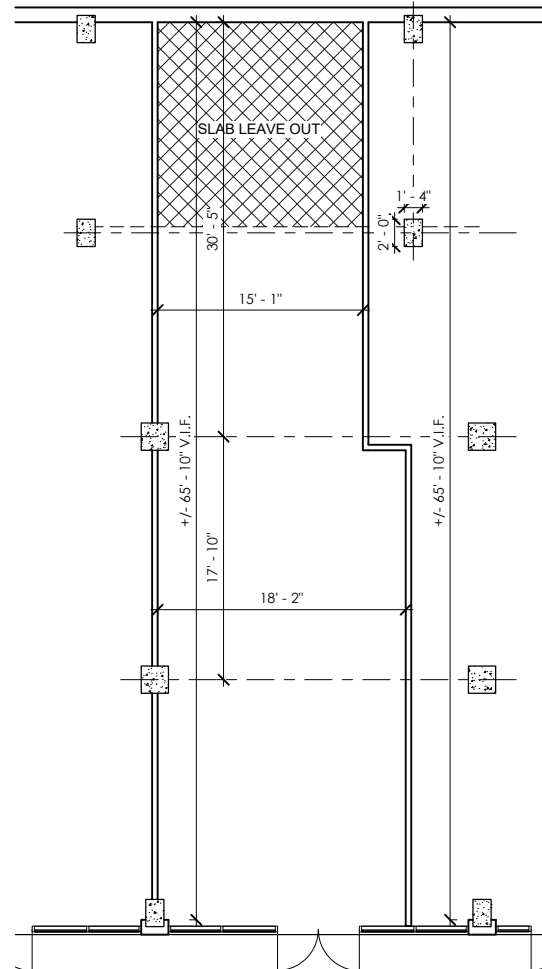
L-1.8
Scale As Indicated

Date 2024.05.29
10/25/2024 4:01:25 PM



BAY MANOR SHOPS

214 Pier One Rd, Stevensville, MD 21666



1 LEASING PLAN SUITE 180
1/8" = 1'-0"

PRELIMINARY

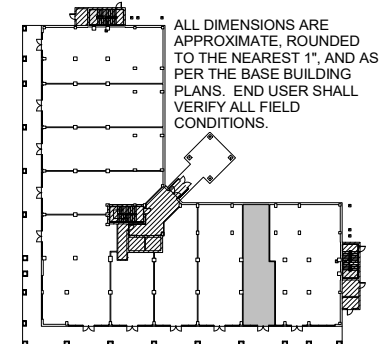
SUITE 180

1,164 GSF per BOMA

HVAC INCLUDED AT 1 TON PER 350 SF.

SUITE SHALL BE PROVIDED W/
200 AMPS AT 120V.

NOTE:
AREA CALCULATION IS APPROXIMATE AND AS PROVIDED BY THE BUILDING OWNER. ALL AS BUILT CONDITIONS ARE TO FIELD VERIFIED BY THE END USER.



KEY PLAN - SUITE 180
NOT TO SCALE

LOA
Level One Architects, LLC
209 West Street, Suite 203,
Annapolis, MD 21401
443.889.4936 www.loa-arch.com

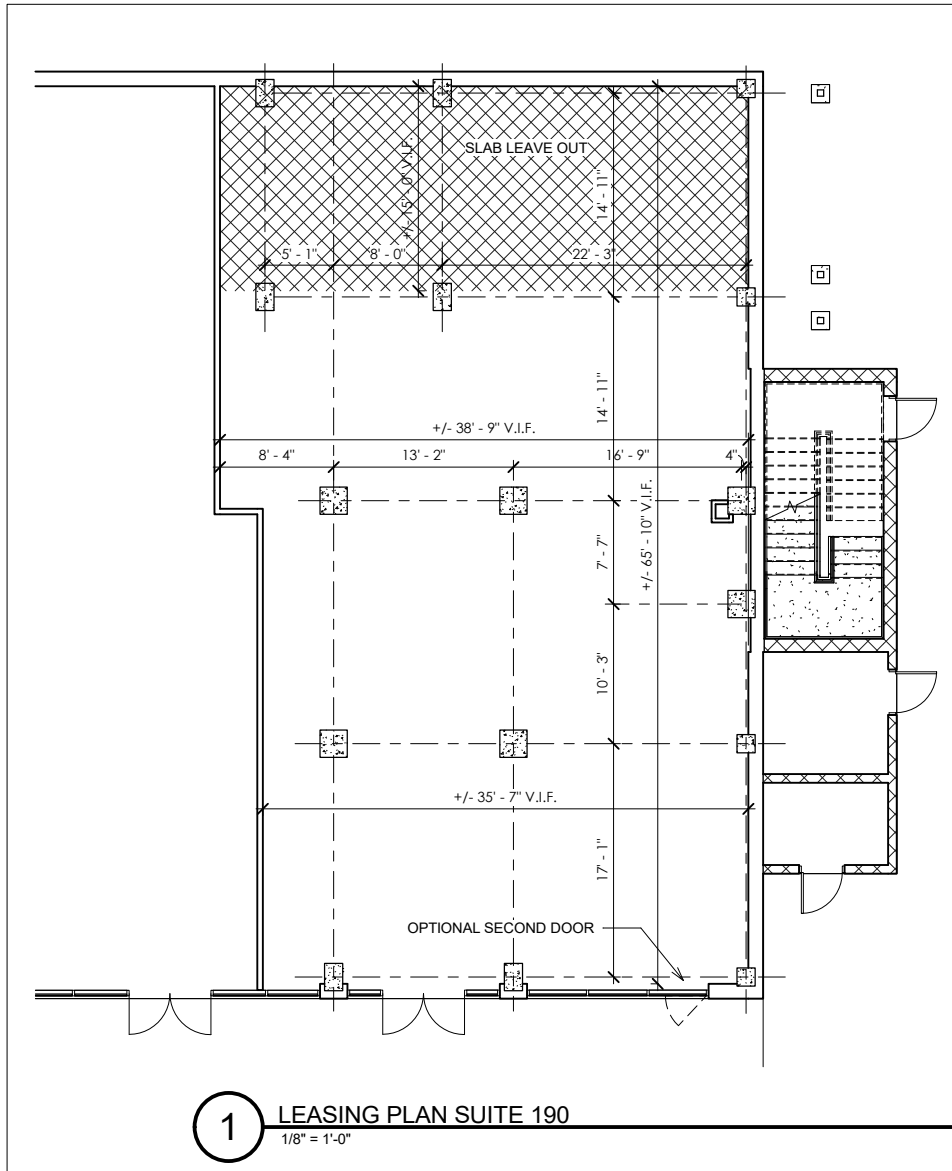
BAY MANOR APARTMENTS & SHOPS
BAY MANOR - LEASING PLANS

LEASING PLAN - SUITE 180
L-1.9
Date 2024.05.29 Scale As indicated
10/25/2024 4:01:25 PM



BAY MANOR SHOPS

214 Pier One Rd, Stevensville, MD 21666



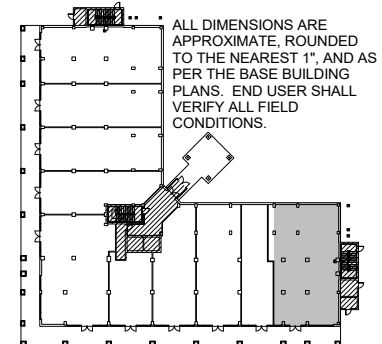
PRELIMINARY

SUITE 190

HVAC INCLUDED AT 1 TON PER 350 SF.

SUITE SHALL BE PROVIDED W/
200 AMPS AT 120V.

NOTE:
AREA CALCULATION IS
APPROXIMATE AND AS
PROVIDED BY THE BUILDING
OWNER. ALL AS BUILT
CONDITIONS ARE TO FIELD
VERIFIED BY THE END USER.



KEY PLAN - SUITE 190

NOT TO SCALE

LOA
Level One Architects, LLC
209 West Street, Suite 203,
Annapolis, MD 21401
443.889.4936 www.loa-arch.com

BAY MANOR - LEASING PLANS
BAY MANOR - LEASING PLANS

LEASING PLAN - SUITE 190
L-1.10
Date: 2024.05.29 Scale As indicated
10/25/2024 4:01:25 PM



BAY MANOR SHOPS

214 Pier One Rd, Stevensville, MD 21666



LEASING CONTACT

SHARY THUR
Cell: 202-359-3469
Direct 202-823-4445
sthur@thurassociates.com

OFFICE LOCATIONS

DC OFFICE
2 Wisconsin Circle - Suite 660
Chevy Chase, MD 20815
202-823-4444

BOCA RATON
327 Mizner Park, Suite 301
Boca Raton, Fl 33432
561-395-2441

last updated: 12/16/24 P. 19



SHARY THUR



202-359-3469



sthur@thurassociates.com

Complete Profile

2010-2020 Census, 2024 Estimates with 2029 Projections
 Calculated using Weighted Block Centroid from Block Groups



Lat/Lon: 38.9797/-76.3288

Bay Manor Shops Stevensville, MD 21666	15 min drive time		30 min drive time		45 min drive time	
Population						
Estimated Population (2024)	25,939		127,941		541,673	
Projected Population (2029)	27,673		131,666		552,984	
Census Population (2020)	24,805		124,226		539,726	
Census Population (2010)	23,603		120,560		498,509	
Projected Annual Growth (2024-2029)	1,734	1.3%	3,725	0.6%	11,311	0.4%
Historical Annual Growth (2020-2024)	1,134	-	3,715	0.7%	1,948	-
Historical Annual Growth (2010-2020)	1,202	0.5%	3,667	0.3%	41,216	0.8%
Estimated Population Density (2024)	634 <i>psm</i>		852 <i>psm</i>		854 <i>psm</i>	
Trade Area Size	40.9 <i>sq mi</i>		150.1 <i>sq mi</i>		634.5 <i>sq mi</i>	
Households						
Estimated Households (2024)	10,273		52,107		206,937	
Projected Households (2029)	10,954		53,834		210,837	
Census Households (2020)	9,580		49,011		200,034	
Census Households (2010)	8,995		45,615		184,469	
Projected Annual Growth (2024-2029)	680	1.3%	1,728	0.7%	3,900	0.4%
Historical Annual Change (2010-2024)	1,278	1.0%	6,492	1.0%	22,468	0.9%
Average Household Income						
Estimated Average Household Income (2024)	\$162,524		\$173,786		\$159,316	
Projected Average Household Income (2029)	\$170,299		\$182,648		\$167,124	
Census Average Household Income (2010)	\$100,945		\$106,498		\$100,066	
Census Average Household Income (2000)	\$76,338		\$78,041		\$74,267	
Projected Annual Change (2024-2029)	\$7,775	1.0%	\$8,863	1.0%	\$7,808	1.0%
Historical Annual Change (2000-2024)	\$86,186	4.7%	\$95,744	5.1%	\$85,048	4.8%
Median Household Income						
Estimated Median Household Income (2024)	\$115,000		\$125,791		\$123,372	
Projected Median Household Income (2029)	\$118,103		\$129,747		\$127,388	
Census Median Household Income (2010)	\$85,671		\$86,424		\$85,186	
Census Median Household Income (2000)	\$65,454		\$65,262		\$64,725	
Projected Annual Change (2024-2029)	\$3,103	0.5%	\$3,956	0.6%	\$4,016	0.7%
Historical Annual Change (2000-2024)	\$49,546	3.2%	\$60,529	3.9%	\$58,647	3.8%
Per Capita Income						
Estimated Per Capita Income (2024)	\$64,412		\$70,886		\$60,970	
Projected Per Capita Income (2029)	\$67,447		\$74,784		\$63,824	
Census Per Capita Income (2010)	\$38,477		\$40,291		\$37,030	
Census Per Capita Income (2000)	\$28,223		\$29,146		\$27,343	
Projected Annual Change (2024-2029)	\$3,035	0.9%	\$3,899	1.1%	\$2,853	0.9%
Historical Annual Change (2000-2024)	\$36,189	5.3%	\$41,739	6.0%	\$33,628	5.1%
Estimated Average Household Net Worth (2024)	\$1.68 M		\$1.66 M		\$1.56 M	

©2024, Sites USA, Chandler, Arizona, 480-491-1112 Demographic Source: Applied Geographic Solutions 5/2024, TIGER Geography - RFULL9

This report was produced using data from private and government sources deemed to be reliable. The information herein is provided without representation or warranty.

Complete Profile

2010-2020 Census, 2024 Estimates with 2029 Projections
 Calculated using Weighted Block Centroid from Block Groups



Lat/Lon: 38.9797/-76.3288

Bay Manor Shops Stevensville, MD 21666	15 min drive time		30 min drive time		45 min drive time	
Race and Ethnicity						
Total Population (2024)	25,939		127,941		541,673	
White (2024)	22,016	84.9%	95,671	74.8%	316,415	58.4%
Black or African American (2024)	1,622	6.3%	15,567	12.2%	145,618	26.9%
American Indian or Alaska Native (2024)	47	0.2%	370	0.3%	1,750	0.3%
Asian (2024)	571	2.2%	3,739	2.9%	21,152	3.9%
Hawaiian or Pacific Islander (2024)	7	-	45	-	234	-
Other Race (2024)	486	1.9%	5,730	4.5%	25,244	4.7%
Two or More Races (2024)	1,189	4.6%	6,820	5.3%	31,260	5.8%
Population < 18 (2024)	5,545 21.4%		26,657 20.8%		119,216 22.0%	
White Not Hispanic	4,256	76.7%	16,667	62.5%	57,215	48.0%
Black or African American	342	6.2%	3,440	12.9%	32,398	27.2%
Asian	122	2.2%	714	2.7%	4,350	3.6%
Other Race Not Hispanic	329	5.9%	1,555	5.8%	7,044	5.9%
Hispanic	497	9.0%	4,280	16.1%	18,209	15.3%
Not Hispanic or Latino Population (2024)	24,540 94.6%		115,586 90.3%		487,127 89.9%	
Not Hispanic White	21,682	88.4%	93,157	80.6%	306,418	62.9%
Not Hispanic Black or African American	1,584	6.5%	15,166	13.1%	143,351	29.4%
Not Hispanic American Indian or Alaska Native	16	-	92	-	497	0.1%
Not Hispanic Asian	565	2.3%	3,687	3.2%	20,883	4.3%
Not Hispanic Hawaiian or Pacific Islander	6	-	41	-	174	-
Not Hispanic Other Race	42	0.2%	212	0.2%	1,056	0.2%
Not Hispanic Two or More Races	645	2.6%	3,231	2.8%	14,747	3.0%
Hispanic or Latino Population (2024)	1,398 5.4%		12,356 9.7%		54,547 10.1%	
Hispanic White	334	23.9%	2,514	20.3%	9,998	18.3%
Hispanic Black or African American	38	2.7%	401	3.2%	2,267	4.2%
Hispanic American Indian or Alaska Native	31	2.2%	279	2.3%	1,253	2.3%
Hispanic Asian	6	0.4%	52	0.4%	269	0.5%
Hispanic Hawaiian or Pacific Islander	1	-	4	-	60	0.1%
Hispanic Other Race	444	31.7%	5,518	44.7%	24,188	44.3%
Hispanic Two or More Races	544	38.9%	3,589	29.0%	16,513	30.3%
Not Hispanic or Latino Population (2020)	23,292 93.9%		109,968 88.5%		479,663 88.9%	
Hispanic or Latino Population (2020)	1,512 6.1%		14,259 11.5%		60,063 11.1%	
Not Hispanic or Latino Population (2010)	22,695 96.2%		111,167 92.2%		462,364 92.7%	
Hispanic or Latino Population (2010)	907 3.8%		9,393 7.8%		36,145 7.3%	
Not Hispanic or Latino Population (2029)	25,725 93.0%		117,914 89.6%		490,671 88.7%	
Hispanic or Latino Population (2029)	1,948 7.0%		13,752 10.4%		62,313 11.3%	
Projected Annual Growth (2024-2029)	550 7.9%		1,396 2.3%		7,766 2.8%	
Historical Annual Growth (2010-2020)	605 6.7%		4,866 5.2%		23,918 6.6%	

©2024, Sites USA, Chandler, Arizona, 480-491-1112 Demographic Source: Applied Geographic Solutions 5/2024, TIGER Geography - RFULL9

This report was produced using data from private and government sources deemed to be reliable. The information herein is provided without representation or warranty.

Complete Profile

2010-2020 Census, 2024 Estimates with 2029 Projections
 Calculated using Weighted Block Centroid from Block Groups



Lat/Lon: 38.9797/-76.3288

Bay Manor Shops Stevensville, MD 21666	15 min drive time		30 min drive time		45 min drive time	
Total Age Distribution (2024)						
Total Population	25,939		127,941		541,673	
Age Under 5 Years	1,360	5.2%	6,880	5.4%	30,971	5.7%
Age 5 to 9 Years	1,485	5.7%	7,340	5.7%	33,032	6.1%
Age 10 to 14 Years	1,676	6.5%	7,678	6.0%	34,655	6.4%
Age 15 to 19 Years	1,552	6.0%	7,433	5.8%	32,717	6.0%
Age 20 to 24 Years	1,255	4.8%	6,764	5.3%	29,244	5.4%
Age 25 to 29 Years	1,222	4.7%	7,330	5.7%	31,391	5.8%
Age 30 to 34 Years	1,506	5.8%	8,329	6.5%	36,397	6.7%
Age 35 to 39 Years	1,672	6.4%	8,717	6.8%	37,564	6.9%
Age 40 to 44 Years	1,580	6.1%	8,068	6.3%	36,401	6.7%
Age 45 to 49 Years	1,442	5.6%	6,978	5.5%	32,166	5.9%
Age 50 to 54 Years	1,845	7.1%	8,136	6.4%	35,878	6.6%
Age 55 to 59 Years	2,036	7.8%	8,757	6.8%	37,459	6.9%
Age 60 to 64 Years	2,078	8.0%	8,984	7.0%	36,615	6.8%
Age 65 to 69 Years	1,678	6.5%	7,884	6.2%	30,942	5.7%
Age 70 to 74 Years	1,336	5.2%	6,812	5.3%	24,724	4.6%
Age 75 to 79 Years	1,097	4.2%	5,517	4.3%	19,132	3.5%
Age 80 to 84 Years	629	2.4%	3,447	2.7%	11,878	2.2%
Age 85 Years or Over	488	1.9%	2,887	2.3%	10,508	1.9%
Median Age	43.4		42.1		40.6	
Age 19 Years or Less	6,074	23.4%	29,331	22.9%	131,375	24.3%
Age 20 to 64 Years	14,635	56.4%	72,064	56.3%	313,114	57.8%
Age 65 Years or Over	5,230	20.2%	26,547	20.7%	97,184	17.9%
Female Age Distribution (2024)						
Female Population	13,137	50.6%	65,028	50.8%	276,834	51.1%
Age Under 5 Years	662	5.0%	3,368	5.2%	15,221	5.5%
Age 5 to 9 Years	715	5.4%	3,604	5.5%	16,080	5.8%
Age 10 to 14 Years	798	6.1%	3,702	5.7%	16,937	6.1%
Age 15 to 19 Years	744	5.7%	3,534	5.4%	15,563	5.6%
Age 20 to 24 Years	617	4.7%	3,245	5.0%	14,078	5.1%
Age 25 to 29 Years	601	4.6%	3,684	5.7%	15,764	5.7%
Age 30 to 34 Years	764	5.8%	4,281	6.6%	18,648	6.7%
Age 35 to 39 Years	828	6.3%	4,323	6.6%	19,171	6.9%
Age 40 to 44 Years	822	6.3%	4,054	6.2%	18,651	6.7%
Age 45 to 49 Years	730	5.6%	3,532	5.4%	16,574	6.0%
Age 50 to 54 Years	948	7.2%	4,170	6.4%	18,718	6.8%
Age 55 to 59 Years	1,038	7.9%	4,570	7.0%	19,537	7.1%
Age 60 to 64 Years	1,071	8.1%	4,675	7.2%	19,073	6.9%
Age 65 to 69 Years	880	6.7%	4,179	6.4%	16,459	5.9%
Age 70 to 74 Years	713	5.4%	3,656	5.6%	13,540	4.9%
Age 75 to 79 Years	574	4.4%	2,974	4.6%	10,527	3.8%
Age 80 to 84 Years	354	2.7%	1,892	2.9%	6,567	2.4%
Age 85 Years or Over	277	2.1%	1,582	2.4%	5,726	2.1%
Female Median Age	44.4		43.2		41.7	
Age 19 Years or Less	2,919	22.2%	14,208	21.8%	63,801	23.0%
Age 20 to 64 Years	7,419	56.5%	36,536	56.2%	160,214	57.9%
Age 65 Years or Over	2,799	21.3%	14,284	22.0%	52,818	19.1%

©2024, Sites USA, Chandler, Arizona, 480-491-1112 Demographic Source: Applied Geographic Solutions 5/2024, TIGER Geography - RFULL9

This report was produced using data from private and government sources deemed to be reliable. The information herein is provided without representation or warranty.

Complete Profile

2010-2020 Census, 2024 Estimates with 2029 Projections
 Calculated using Weighted Block Centroid from Block Groups



Lat/Lon: 38.9797/-76.3288

Bay Manor Shops Stevensville, MD 21666	15 min drive time		30 min drive time		45 min drive time	
Male Age Distribution (2024)						
Male Population	12,802	49.4%	62,913	49.2%	264,840	48.9%
Age Under 5 Years	698	5.4%	3,512	5.6%	15,750	5.9%
Age 5 to 9 Years	770	6.0%	3,737	5.9%	16,952	6.4%
Age 10 to 14 Years	878	6.9%	3,976	6.3%	17,718	6.7%
Age 15 to 19 Years	809	6.3%	3,899	6.2%	17,154	6.5%
Age 20 to 24 Years	637	5.0%	3,519	5.6%	15,166	5.7%
Age 25 to 29 Years	622	4.9%	3,646	5.8%	15,627	5.9%
Age 30 to 34 Years	741	5.8%	4,048	6.4%	17,750	6.7%
Age 35 to 39 Years	844	6.6%	4,394	7.0%	18,393	6.9%
Age 40 to 44 Years	758	5.9%	4,014	6.4%	17,751	6.7%
Age 45 to 49 Years	712	5.6%	3,445	5.5%	15,592	5.9%
Age 50 to 54 Years	897	7.0%	3,965	6.3%	17,160	6.5%
Age 55 to 59 Years	998	7.8%	4,187	6.7%	17,921	6.8%
Age 60 to 64 Years	1,007	7.9%	4,309	6.8%	17,542	6.6%
Age 65 to 69 Years	798	6.2%	3,705	5.9%	14,483	5.5%
Age 70 to 74 Years	623	4.9%	3,156	5.0%	11,184	4.2%
Age 75 to 79 Years	523	4.1%	2,543	4.0%	8,605	3.2%
Age 80 to 84 Years	275	2.2%	1,554	2.5%	5,312	2.0%
Age 85 Years or Over	211	1.7%	1,305	2.1%	4,782	1.8%
Male Median Age	42.4		41.1		39.5	
Age 19 Years or Less	3,155	24.6%	15,123	24.0%	67,573	25.5%
Age 20 to 64 Years	7,216	56.4%	35,527	56.5%	152,900	57.7%
Age 65 Years or Over	2,431	19.0%	12,263	19.5%	44,366	16.8%
Males per 100 Females (2024)						
Overall Comparison	97		97		96	
Age Under 5 Years	105	51.3%	104	51.0%	103	50.9%
Age 5 to 9 Years	108	51.9%	104	50.9%	105	51.3%
Age 10 to 14 Years	110	52.4%	107	51.8%	105	51.1%
Age 15 to 19 Years	109	52.1%	110	52.5%	110	52.4%
Age 20 to 24 Years	103	50.8%	108	52.0%	108	51.9%
Age 25 to 29 Years	103	50.9%	99	49.7%	99	49.8%
Age 30 to 34 Years	97	49.2%	95	48.6%	95	48.8%
Age 35 to 39 Years	102	50.5%	102	50.4%	96	49.0%
Age 40 to 44 Years	92	48.0%	99	49.7%	95	48.8%
Age 45 to 49 Years	97	49.4%	98	49.4%	94	48.5%
Age 50 to 54 Years	95	48.6%	95	48.7%	92	47.8%
Age 55 to 59 Years	96	49.0%	92	47.8%	92	47.8%
Age 60 to 64 Years	94	48.5%	92	48.0%	92	47.9%
Age 65 to 69 Years	91	47.5%	89	47.0%	88	46.8%
Age 70 to 74 Years	87	46.6%	86	46.3%	83	45.2%
Age 75 to 79 Years	91	47.7%	86	46.1%	82	45.0%
Age 80 to 84 Years	78	43.8%	82	45.1%	81	44.7%
Age 85 Years or Over	76	43.3%	82	45.2%	84	45.5%
Age 19 Years or Less	108	51.9%	106	51.6%	106	51.4%
Age 20 to 39 Years	101	50.3%	100	50.1%	99	49.7%
Age 40 to 64 Years	95	48.7%	95	48.7%	93	48.2%
Age 65 Years or Over	87	46.5%	86	46.2%	84	45.7%

©2024, Sites USA, Chandler, Arizona, 480-491-1112 Demographic Source: Applied Geographic Solutions 5/2024, TIGER Geography - RFULL9

This report was produced using data from private and government sources deemed to be reliable. The information herein is provided without representation or warranty.

Complete Profile

2010-2020 Census, 2024 Estimates with 2029 Projections
 Calculated using Weighted Block Centroid from Block Groups



Lat/Lon: 38.9797/-76.3288

Bay Manor Shops Stevensville, MD 21666	15 min drive time		30 min drive time		45 min drive time	
Household Type (2024)						
Total Households	10,273		52,107		206,937	
Households with Children	2,923	28.5%	14,282	27.4%	62,442	30.2%
Average Household Size	2.5		2.4		2.6	
Household Density per Square Mile	251		347		326	
Population Family	21,204	81.7%	99,267	77.6%	435,720	80.4%
Population Non-Family	4,631	17.9%	26,810	21.0%	99,201	18.3%
Population Group Quarters	103	0.4%	1,863	1.5%	6,753	1.2%
Family Households	6,697	65.2%	31,258	60.0%	132,878	64.2%
Married Couple Households	5,304	79.2%	23,940	76.6%	96,499	72.6%
Other Family Households with Children	1,393	20.8%	7,317	23.4%	36,379	27.4%
Family Households with Children	2,920	43.6%	14,248	45.6%	62,335	46.9%
Married Couple with Children	2,247	77.0%	10,734	75.3%	44,861	72.0%
Other Family Households with Children	673	23.0%	3,514	24.7%	17,474	28.0%
Family Households No Children	3,777	56.4%	17,009	54.4%	70,543	53.1%
Married Couple No Children	3,057	80.9%	13,206	77.6%	51,638	73.2%
Other Family Households No Children	721	19.1%	3,803	22.4%	18,906	26.8%
Non-Family Households	3,576	34.8%	20,849	40.0%	74,059	35.8%
Non-Family Households with Children	3	-	33	0.2%	107	0.1%
Non-Family Households No Children	3,573	99.9%	20,816	99.8%	73,952	99.9%
Average Family Household Size	3.2		3.2		3.3	
Average Family Income	\$199,226		\$208,953		\$187,612	
Median Family Income	\$146,802		\$158,598		\$149,191	
Average Non-Family Household Size	1.3		1.3		1.3	
Marital Status (2024)						
Population Age 15 Years or Over	21,417		106,043		443,016	
Never Married	5,347	25.0%	29,762	28.1%	136,747	30.9%
Currently Married	11,792	55.1%	57,078	53.8%	223,024	50.3%
Previously Married	4,278	20.0%	19,203	18.1%	83,244	18.8%
Separated	578	13.5%	3,315	17.3%	16,082	19.3%
Widowed	1,107	25.9%	4,743	24.7%	21,962	26.4%
Divorced	2,593	60.6%	11,145	58.0%	45,200	54.3%
Educational Attainment (2024)						
Adult Population Age 25 Years or Over	18,610		91,846		381,055	
Elementary (Grade Level 0 to 8)	253	1.4%	2,243	2.4%	11,020	2.9%
Some High School (Grade Level 9 to 11)	757	4.1%	2,959	3.2%	16,303	4.3%
High School Graduate	4,290	23.1%	15,818	17.2%	82,189	21.6%
Some College	3,590	19.3%	15,647	17.0%	69,689	18.3%
Associate Degree Only	1,413	7.6%	5,998	6.5%	25,966	6.8%
Bachelor Degree Only	5,023	27.0%	26,903	29.3%	99,230	26.0%
Graduate Degree	3,284	17.6%	22,278	24.3%	76,658	20.1%
Any College (Some College or Higher)	13,310	71.5%	70,827	77.1%	271,543	71.3%
College Degree + (Bachelor Degree or Higher)	8,307	44.6%	49,181	53.5%	175,888	46.2%

©2024, Sites USA, Chandler, Arizona, 480-491-1112 Demographic Source: Applied Geographic Solutions 5/2024, TIGER Geography - RFULL9

This report was produced using data from private and government sources deemed to be reliable. The information herein is provided without representation or warranty.

Complete Profile

2010-2020 Census, 2024 Estimates with 2029 Projections
 Calculated using Weighted Block Centroid from Block Groups



Lat/Lon: 38.9797/-76.3288

Bay Manor Shops Stevensville, MD 21666	15 min drive time		30 min drive time		45 min drive time	
Housing						
Total Housing Units (2024)	10,891		54,991		217,113	
Total Housing Units (2020)	10,392		53,092		211,389	
Historical Annual Growth (2020-2024)	500	-	1,899	-	5,723	-
Housing Units Occupied (2024)	10,273	94.3%	52,107	94.8%	206,937	95.3%
Housing Units Owner-Occupied	8,542	83.2%	36,289	69.6%	148,897	72.0%
Housing Units Renter-Occupied	1,731	16.8%	15,817	30.4%	58,040	28.0%
Housing Units Vacant (2024)	618	5.7%	2,885	5.2%	10,176	4.7%
Household Size (2024)						
Total Households	10,273		52,107		206,937	
1 Person Households	3,042	29.6%	17,824	34.2%	63,493	30.7%
2 Person Households	4,149	40.4%	19,107	36.7%	82,047	39.6%
3 Person Households	1,313	12.8%	6,627	12.7%	27,113	13.1%
4 Person Households	1,059	10.3%	4,907	9.4%	19,289	9.3%
5 Person Households	496	4.8%	2,265	4.3%	9,000	4.3%
6 Person Households	155	1.5%	848	1.6%	3,698	1.8%
7 or More Person Households	60	0.6%	528	1.0%	2,297	1.1%
Household Income Distribution (2024)						
HH Income \$200,000 or More	2,317	22.6%	13,227	25.4%	47,094	22.8%
HH Income \$150,000 to \$199,999	1,372	13.4%	6,920	13.3%	27,835	13.5%
HH Income \$125,000 to \$149,999	960	9.3%	4,692	9.0%	19,577	9.5%
HH Income \$100,000 to \$124,999	1,236	12.0%	5,691	10.9%	21,786	10.5%
HH Income \$75,000 to \$99,999	1,379	13.4%	6,544	12.6%	25,793	12.5%
HH Income \$50,000 to \$74,999	1,139	11.1%	5,737	11.0%	25,646	12.4%
HH Income \$35,000 to \$49,999	452	4.4%	2,851	5.5%	12,434	6.0%
HH Income \$25,000 to \$34,999	376	3.7%	1,845	3.5%	9,076	4.4%
HH Income \$15,000 to \$24,999	431	4.2%	2,390	4.6%	7,956	3.8%
HH Income \$10,000 to \$14,999	187	1.8%	607	1.2%	2,676	1.3%
HH Income Under \$10,000	424	4.1%	1,602	3.1%	7,065	3.4%
Household Vehicles (2024)						
Households 0 Vehicles Available	389	3.8%	3,108	6.0%	12,396	6.0%
Households 1 Vehicle Available	2,525	24.6%	17,672	33.9%	66,783	32.3%
Households 2 Vehicles Available	4,253	41.4%	20,326	39.0%	80,394	38.8%
Households 3 or More Vehicles Available	3,106	30.2%	11,001	21.1%	47,364	22.9%
Total Vehicles Available	21,278		95,064		388,099	
Average Vehicles per Household	2.1		1.8		1.9	
Owner-Occupied Household Vehicles	18,638	87.6%	73,975	77.8%	310,649	80.0%
Average Vehicles per Owner-Occupied Household	2.2		2.0		2.1	
Renter-Occupied Household Vehicles	2,641	12.4%	21,089	22.2%	77,451	20.0%
Average Vehicles per Renter-Occupied Household	1.5		1.3		1.3	
Travel Time (2024)						
Worker Base Age 16 years or Over	13,386		65,116		282,127	
Travel to Work in 14 Minutes or Less	2,709	20.2%	13,571	20.8%	44,116	15.6%
Travel to Work in 15 to 29 Minutes	3,190	23.8%	14,270	21.9%	74,653	26.5%
Travel to Work in 30 to 59 Minutes	3,542	26.5%	16,161	24.8%	79,466	28.2%
Travel to Work in 60 Minutes or More	1,728	12.9%	6,541	10.0%	28,937	10.3%
Work at Home	2,217	16.6%	14,572	22.4%	54,955	19.5%
Average Minutes Travel to Work	26.6		24.9		27.2	

Complete Profile

2010-2020 Census, 2024 Estimates with 2029 Projections
 Calculated using Weighted Block Centroid from Block Groups



Lat/Lon: 38.9797/-76.3288

Bay Manor Shops Stevensville, MD 21666	15 min drive time		30 min drive time		45 min drive time	
Transportation To Work (2024)						
Worker Base Age 16 years or Over	13,386		65,116		282,127	
Drive to Work Alone	10,253	76.6%	44,086	67.7%	193,694	68.7%
Drive to Work in Carpool	675	5.0%	3,190	4.9%	18,329	6.5%
Travel to Work by Public Transportation	77	0.6%	1,124	1.7%	6,889	2.4%
Drive to Work on Motorcycle	-	-	27	-	114	-
Bicycle to Work	4	-	293	0.4%	626	0.2%
Walk to Work	118	0.9%	1,349	2.1%	4,381	1.6%
Other Means	42	0.3%	474	0.7%	3,140	1.1%
Work at Home	2,217	16.6%	14,572	22.4%	54,955	19.5%
Daytime Demographics (2024)						
Total Businesses	1,418		8,387		26,013	
Total Employees	10,526		83,608		231,837	
Company Headquarter Businesses	57	4.0%	345	4.1%	919	3.5%
Company Headquarter Employees	1,427	13.6%	13,047	15.6%	33,068	14.3%
Employee Population per Business	7.4 to 1		10.0 to 1		8.9 to 1	
Residential Population per Business	18.3 to 1		15.3 to 1		20.8 to 1	
Adj. Daytime Demographics Age 16 Years or Over	18,216		121,698		381,487	
Labor Force						
Labor Population Age 16 Years or Over (2024)	21,069		104,450		436,273	
Labor Force Total Males (2024)	10,271	48.7%	50,850	48.7%	210,956	48.4%
Male Civilian Employed	6,962	67.8%	34,248	67.4%	144,680	68.6%
Male Civilian Unemployed	180	1.8%	675	1.3%	3,550	1.7%
Males in Armed Forces	96	0.9%	1,098	2.2%	4,163	2.0%
Males Not in Labor Force	3,032	29.5%	14,829	29.2%	58,562	27.8%
Labor Force Total Females (2024)	10,798	51.3%	53,600	51.3%	225,318	51.6%
Female Civilian Employed	6,307	58.4%	30,754	57.4%	136,752	60.7%
Female Civilian Unemployed	128	1.2%	628	1.2%	3,171	1.4%
Females in Armed Forces	13	0.1%	259	0.5%	1,028	0.5%
Females Not in Labor Force	4,350	40.3%	21,958	41.0%	84,367	37.4%
Unemployment Rate	308	1.5%	1,304	1.2%	6,721	1.5%
Occupation (2024)						
Occupation Population Age 16 Years or Over	13,386		65,116		282,127	
Occupation Total Males	7,030	52.5%	34,315	52.7%	145,053	51.4%
Occupation Total Females	6,357	47.5%	30,801	47.3%	137,073	48.6%
Management, Business, Financial Operations	2,927	21.9%	17,451	26.8%	65,506	23.2%
Professional, Related	3,458	25.8%	19,169	29.4%	83,279	29.5%
Service	2,065	15.4%	8,920	13.7%	41,984	14.9%
Sales, Office	2,843	21.2%	11,012	16.9%	48,318	17.1%
Farming, Fishing, Forestry	29	0.2%	99	0.2%	323	0.1%
Construction, Extraction, Maintenance	1,147	8.6%	4,547	7.0%	21,287	7.5%
Production, Transport, Material Moving	918	6.9%	3,918	6.0%	21,431	7.6%
White Collar Workers	9,228	68.9%	47,632	73.2%	197,103	69.9%
Blue Collar Workers	4,158	31.1%	17,484	26.8%	85,024	30.1%

Complete Profile

2010-2020 Census, 2024 Estimates with 2029 Projections
 Calculated using Weighted Block Centroid from Block Groups



Lat/Lon: 38.9797/-76.3288

Bay Manor Shops Stevensville, MD 21666	15 min drive time		30 min drive time		45 min drive time	
Units In Structure (2024)						
Total Units	10,273		52,107		206,937	
1 Detached Unit	7,595	73.9%	30,450	58.4%	124,005	59.9%
1 Attached Unit	1,556	15.1%	9,208	17.7%	37,100	17.9%
2 Units	35	0.3%	534	1.0%	1,908	0.9%
3 to 4 Units	163	1.6%	967	1.9%	3,011	1.5%
5 to 9 Units	313	3.0%	2,111	4.1%	8,023	3.9%
10 to 19 Units	204	2.0%	3,826	7.3%	16,752	8.1%
20 to 49 Units	145	1.4%	1,165	2.2%	4,209	2.0%
50 or More Units	144	1.4%	3,389	6.5%	9,712	4.7%
Mobile Home or Trailer	117	1.1%	455	0.9%	2,182	1.1%
Other Structure	2	-	2	-	35	-
Homes Built By Year (2024)						
Homes Built 2020 or later	124	1.1%	739	1.3%	3,097	1.4%
Homes Built 2010 to 2019	880	8.1%	4,703	8.6%	19,220	8.9%
Homes Built 2000 to 2009	1,749	16.1%	6,861	12.5%	26,002	12.0%
Homes Built 1990 to 1999	1,493	13.7%	7,413	13.5%	31,879	14.7%
Homes Built 1980 to 1989	2,305	21.2%	9,026	16.4%	33,415	15.4%
Homes Built 1970 to 1979	1,824	16.8%	9,100	16.5%	30,858	14.2%
Homes Built 1960 to 1969	781	7.2%	4,666	8.5%	26,965	12.4%
Homes Built 1950 to 1959	506	4.6%	3,976	7.2%	16,644	7.7%
Homes Built 1940 to 1949	116	1.1%	1,383	2.5%	7,164	3.3%
Homes Built Before 1939	496	4.5%	4,238	7.7%	11,693	5.4%
Median Age of Homes	39.8 yrs		43.7 yrs		43.3 yrs	
Home Values (2024)						
Owner Specified Housing Units	8,542		36,289		148,897	
Home Values \$1,000,000 or More	679	7.9%	3,423	9.4%	8,178	5.5%
Home Values \$750,000 to \$999,999	923	10.8%	3,976	11.0%	12,260	8.2%
Home Values \$500,000 to \$749,999	1,711	20.0%	10,373	28.6%	38,007	25.5%
Home Values \$400,000 to \$499,999	2,171	25.4%	7,949	21.9%	31,539	21.2%
Home Values \$300,000 to \$399,999	1,834	21.5%	6,332	17.4%	33,120	22.2%
Home Values \$250,000 to \$299,999	528	6.2%	1,738	4.8%	9,788	6.6%
Home Values \$200,000 to \$249,999	317	3.7%	858	2.4%	5,859	3.9%
Home Values \$175,000 to \$199,999	133	1.6%	299	0.8%	1,957	1.3%
Home Values \$150,000 to \$174,999	72	0.8%	297	0.8%	1,913	1.3%
Home Values \$125,000 to \$149,999	13	0.2%	77	0.2%	717	0.5%
Home Values \$100,000 to \$124,999	37	0.4%	138	0.4%	902	0.6%
Home Values \$90,000 to \$99,999	3	-	3	-	145	-
Home Values \$80,000 to \$89,999	7	-	63	0.2%	230	0.2%
Home Values \$70,000 to \$79,999	2	-	40	0.1%	292	0.2%
Home Values \$60,000 to \$69,999	32	0.4%	53	0.1%	149	-
Home Values \$50,000 to \$59,999	15	0.2%	88	0.2%	352	0.2%
Home Values \$35,000 to \$49,999	19	0.2%	84	0.2%	893	0.6%
Home Values \$25,000 to \$34,999	6	-	86	0.2%	892	0.6%
Home Values \$10,000 to \$24,999	7	-	83	0.2%	362	0.2%
Home Values Under \$10,000	34	0.4%	328	0.9%	1,344	0.9%
Owner-Occupied Median Home Value	\$486,595		\$535,459		\$476,776	
Renter-Occupied Median Rent	\$1,452		\$1,621		\$1,560	

Complete Profile

2010-2020 Census, 2024 Estimates with 2029 Projections
 Calculated using Weighted Block Centroid from Block Groups



Lat/Lon: 38.9797/-76.3288

Bay Manor Shops Stevensville, MD 21666	15 min drive time	30 min drive time	45 min drive time
Total Annual Consumer Expenditure (2024)			
Total Household Expenditure	\$1.02 B	\$5.46 B	\$20.3 B
Total Non-Retail Expenditure	\$543.35 M	\$2.91 B	\$10.81 B
Total Retail Expenditure	\$478.72 M	\$2.55 B	\$9.49 B
Apparel	\$36.69 M	\$197.12 M	\$732.13 M
Contributions	\$36.86 M	\$199.56 M	\$735.2 M
Education	\$35.72 M	\$196.11 M	\$720.41 M
Entertainment	\$60 M	\$320.58 M	\$1.19 B
Food and Beverages	\$146.85 M	\$781.51 M	\$2.91 B
Furnishings and Equipment	\$37.05 M	\$197.82 M	\$735.85 M
Gifts	\$28.06 M	\$154.03 M	\$565.99 M
Health Care	\$83.47 M	\$440.71 M	\$1.65 B
Household Operations	\$41.47 M	\$222.55 M	\$825.12 M
Miscellaneous Expenses	\$19.61 M	\$104.92 M	\$389.72 M
Personal Care	\$13.71 M	\$73.21 M	\$272.4 M
Personal Insurance	\$7.92 M	\$42.45 M	\$157.3 M
Reading	\$2.29 M	\$12.25 M	\$45.41 M
Shelter	\$213.76 M	\$1.15 B	\$4.26 B
Tobacco	\$5.07 M	\$26.45 M	\$99.82 M
Transportation	\$183.59 M	\$974.24 M	\$3.64 B
Utilities	\$69.95 M	\$369.21 M	\$1.38 B
Monthly Household Consumer Expenditure (2024)			
Total Household Expenditure	\$8,291	\$8,730	\$8,177
Total Non-Retail Expenditure	\$4,407 53.2%	\$4,656 53.3%	\$4,354 53.3%
Total Retail Expenditures	\$3,883 46.8%	\$4,073 46.7%	\$3,822 46.7%
Apparel	\$298 3.6%	\$315 3.6%	\$295 3.6%
Contributions	\$299 3.6%	\$319 3.7%	\$296 3.6%
Education	\$290 3.5%	\$314 3.6%	\$290 3.5%
Entertainment	\$487 5.9%	\$513 5.9%	\$480 5.9%
Food and Beverages	\$1,191 14.4%	\$1,250 14.3%	\$1,173 14.3%
Furnishings and Equipment	\$301 3.6%	\$316 3.6%	\$296 3.6%
Gifts	\$228 2.7%	\$246 2.8%	\$228 2.8%
Health Care	\$677 8.2%	\$705 8.1%	\$663 8.1%
Household Operations	\$336 4.1%	\$356 4.1%	\$332 4.1%
Miscellaneous Expenses	\$159 1.9%	\$168 1.9%	\$157 1.9%
Personal Care	\$111 1.3%	\$117 1.3%	\$110 1.3%
Personal Insurance	\$64 0.8%	\$68 0.8%	\$63 0.8%
Reading	\$19 0.2%	\$20 0.2%	\$18 0.2%
Shelter	\$1,734 20.9%	\$1,833 21.0%	\$1,714 21.0%
Tobacco	\$41 0.5%	\$42 0.5%	\$40 0.5%
Transportation	\$1,489 18.0%	\$1,558 17.8%	\$1,464 17.9%
Utilities	\$567 6.8%	\$590 6.8%	\$556 6.8%